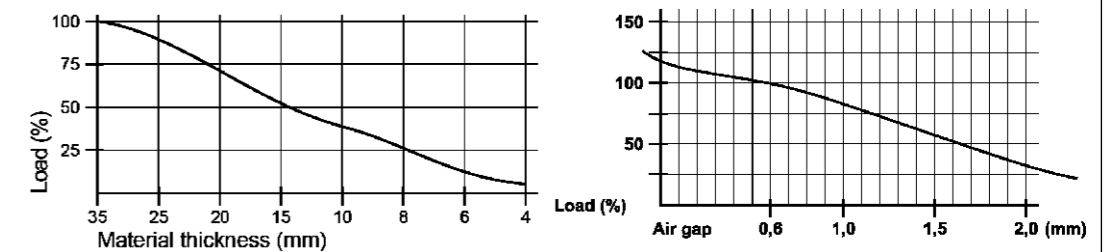
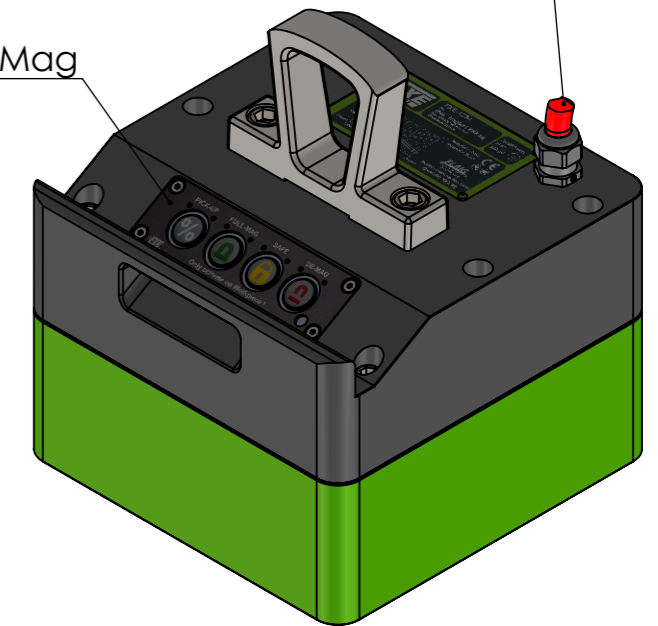


Front board control panel
Pick-Up/Full-Mag/Safe/De-Mag

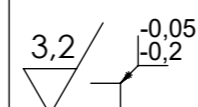
2m cable,
optional Spiral cable 1-5m



Specification FXE 1600-100

Nominative Force: 58kN		lifting capacity EN 13155/WLL	
Materialthickness >35mm (100%)		1600kg	
10,8kVA			
U: 380-480V Pulse		Protection Class IP 65	
R: 2,5Ω		Protectiv Earth SK I	
Max. Load capacity at sheets and 4-edge pipes			
T material thickness	Lmax (mm)	Wmax (mm)	Wll (kg)
>=10mm	2000	1500	400
>=20mm	2000	1500	1000
>=35mm	3000	2000	1600

Schutzvermerk nach DIN ISO 16016 beachten!
Nachdruck nur mit unserer Genehmigung!
All rights reserved according to DIN ISO 16016!
Reprint with our permission only!



date	name
drawn 24.06.2022	TW
edit 27.06.2024	
appr. 27.06.2024	TW

FLAIG
Magnetsysteme
www.flraig-te.de

tolerance	material:	weight: 82.00
ISO 7168 M	drawing no.:	0018101
	description:	FXE 1600-100
	part no.:	10601603
	scale: 1:4	sheet 1 / 1
	Status: Freigegeben	A3