

Specification FXE-HD 7200-100			
Nominative Force: 261 kN		lifting capacity EN 13155/WLL	
Materialthickness >35mm (100%)		WLL= 7200kg at air gap 0,6mm	
3x 15,9 kVA			
U: 380-480V Pulse		Protection type IP 65	
R: 3x 1,7Ω		Protection category SK I	
Max. Load capacity at sheets and 4-edge pipes			
T material thickness	Lmax (mm)	Wmax (mm)	Wll (kg)
>=10mm	3000	2000	2400
>=20mm	4000	2500	4800
>=35mm	4250	3200	7200

Schutzvermerk nach DIN ISO 16016 beachten! Nachdruck nur mit unserer Genehmigung!		tolerance		material:		weight: 400.00	
All rights reserved according to DIN ISO 16016! Reprint with our permission only!		ISO 7168 M		drawing no.:		0020070	
		date		name		description: FXE-HD 7200-100	
		drawn 23.01.2023		TW			
		edit 27.06.2024					
		appr. 27.06.2024		TW			
06	Luftspaltkurve	27.06.2024	TW	part no.:		10607203-1	
05	Neue Funke	08.12.2023	TW	sheet		1 / 2	
04	Tabellenwerte	18.10.2023	TW	A3			
03	Gewicht	24.03.2023	TW	scale: 1:8		Status: Freigegeben	
02	Artikelnummer	14.02.2023	TW	 www.flaign-te.de			
rev.	change	date	name				



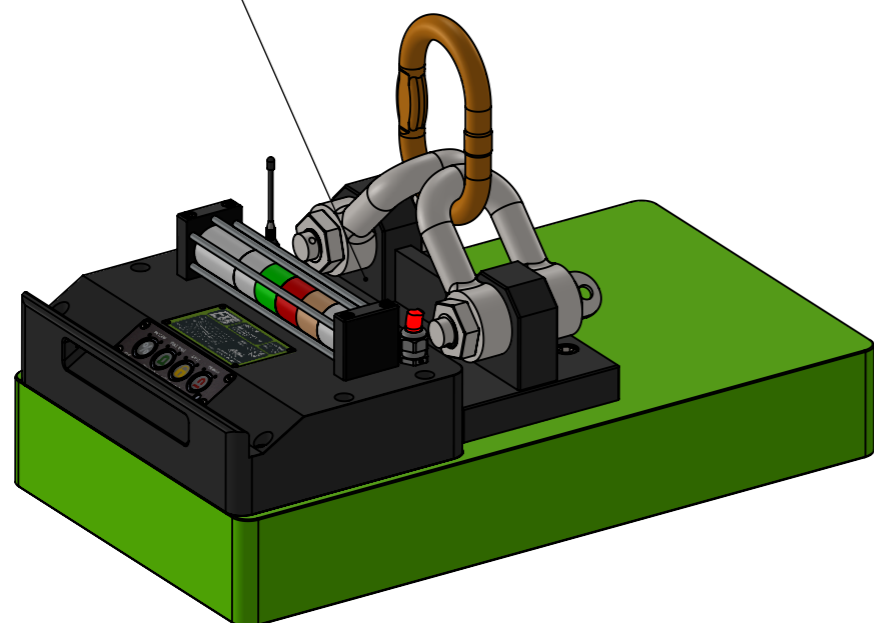
RADIO REMOTE CONTROL:

Please note when using the radio remote control:
 First set the slide switch on the back to ON position

- Function and operation of the individual buttons see MEMBRANE KEYPAD!
- The magnet should only ever be operated by one person!

LIFTING SENSOR:

With integrated Lifting Sensor "Magnetize" and "Demagnetize" on floating Load and Lifting Magnet is not possible!



MEMBRANE KEYPAD:

The Lifting Magnet FXE is controlled via 4 built pushbuttons, they are from left to right:
 PICK-UP with red LED • FULL-MAG with green LED • SAFE with orange LED • DE-MAG with white LED

Connect the lifting magnets at 400V mains voltage. The white LED above the button DE-MAG flashes to indicate that the magnet is in an undefined state.

Lifting in PICK-UP mode:

To check whether the workpiece can be transported with sufficient safety (Pick-Up 3), or to lift a single sheet metal from a stack (Pick-Up 1&2).

Place the magnet on the workpiece and press the PICK-UP button, the orange Cycle LED will flash briefly above the SAFE key. The red LED above the PICK-UP button then lights up to indicate that the magnet is activated with partial power. **In this state, the workpiece may only be lifted slightly but must not be transported under any circumstances!**

The magnet has three Pick-Up levels.

Pick-Up 1&2 are used for sheet metal separation (Pick-Up 1 has a weaker holding force than Pick-Up 2), Pick-Up 3 is the safety Pick-Up (to check whether the workpiece can be transported safely).

Only Pick-Up 3 can be carried out via the membrane keypad.

Pick-up 1&2 can only be carried out via the remote control.

Transport in FULL-MAG operation:

After checking the safety by means of the PICK-UP operation or directly from the DE-MAG switching state, the maximum magnetization can be triggered with this key. After pressing, the orange cycle LED above the SAFE key lights up briefly and then the green status LED above the FULL-MAG key turns on to indicate that the maximum magnetization has occurred.

Carry out transports only if the green LED lights up and the alarm LED (SAFE) does not flash!

Releasing the workpiece by DE-MAG:

To release the workpiece, the SAFE and DE-MAG keys must be pressed simultaneously. The orange cycle LED above the SAFE key lights up briefly and then the white status LED above the DE-MAG key lights up.

LED signal lights:

For better visualisazion a LED signal light is mounted on the magnet.

The signal lights show the same status as the lights on the front board control panel.

Schutzvermerk nach DIN ISO 16016 beachten! Nachdruck nur mit unserer Genehmigung!					tolerance	material:	weight: 400.00				
All rights reserved according to DIN ISO 16016! Reprint with our permission only!					ISO 7168 M	drawing no.:	0020070				
				date	name	description: FXE-HD 7200-100					
				drawn	23.01.2023	TW					
				edit	27.06.2024						
				appr.	27.06.2024	TW					
06	Luftspaltkurve	27.06.2024	TW					part no.:	10607203-1	sheet	2 / 2
05	Neue Funke	08.12.2023	TW					scale:	1:1	Status: Freigegeben	A3
04	Tabellenwerte	18.10.2023	TW								
03	Gewicht	24.03.2023	TW								
02	Artikelnummer	14.02.2023	TW								
rev.	change	date	name								