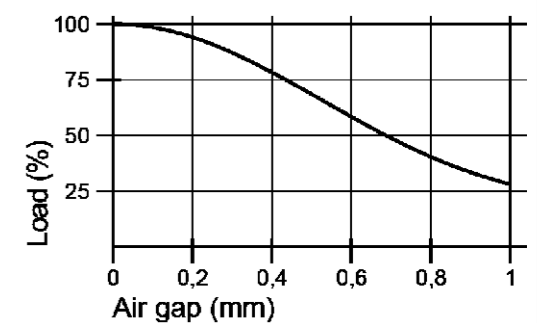
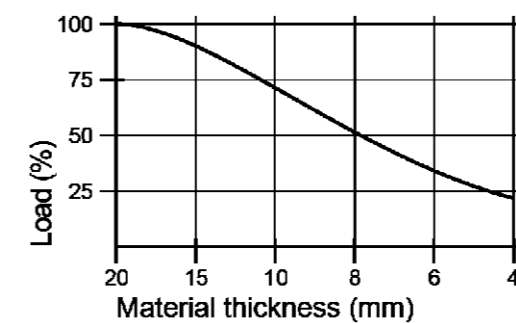
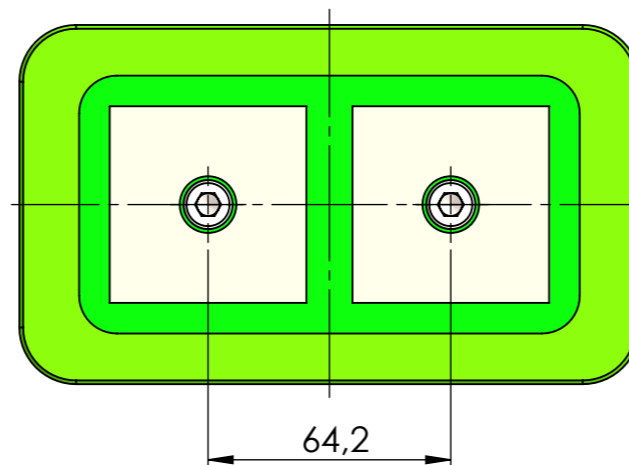
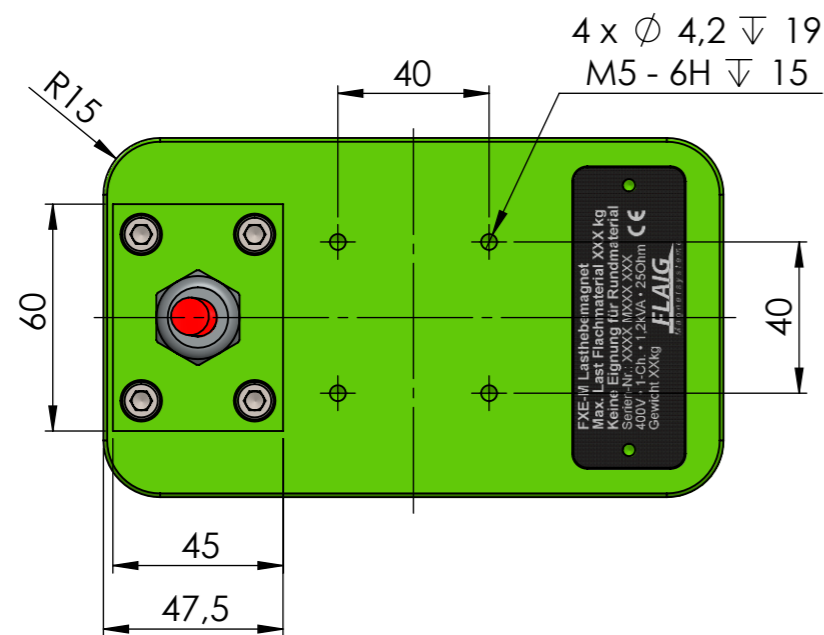
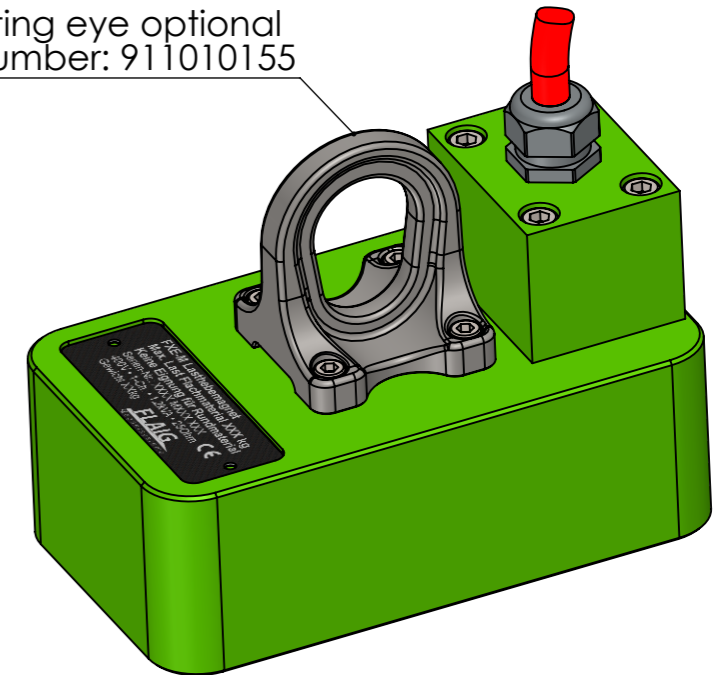


Crane lifting eye optional
Article number: 911010155



Specification FXE-M 150-50 (230V)		Schutzvermerk nach DIN ISO 16016 beachten! Nachdruck nur mit unserer Genehmigung! All rights reserved according to DIN ISO 16016! Reprint with our permission only!				tolerance	material:	weight: 6.20
Nominative Force: 7,6kN	lifting capacity EN 13155/WLL			drawn	28.01.2021	MF	drawing no.:	0012790
Materialthickness >15mm (100%)	150kg			edit	29.04.2022		description:	FXE M 150-50
2,1kVA				appr.	11.04.2022	TW	(230V)	
U: 230V Pulse	Protection type IP 65						part no.:	10610101
R: 12,8Ω	Protection category SK I	02	Kranöse			06.04.2022	TW	sheet
		rev.	change	date	name	www.flraig-te.de	scale: 1:2	Status: Freigegeben