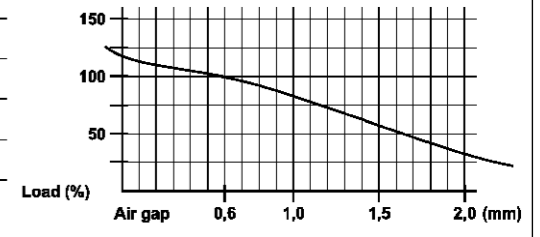
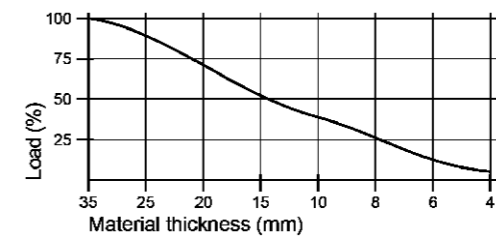
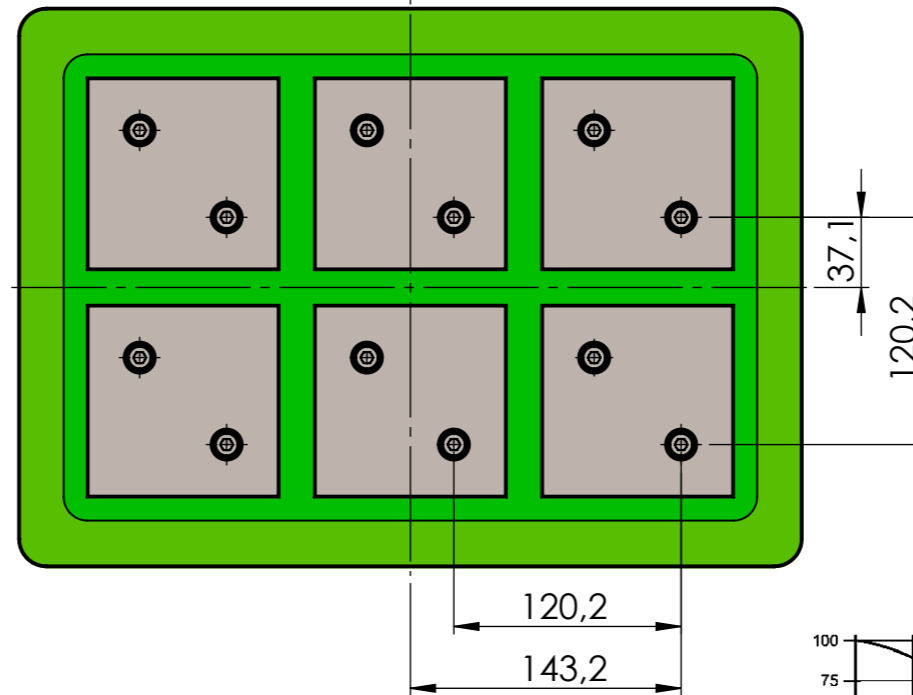
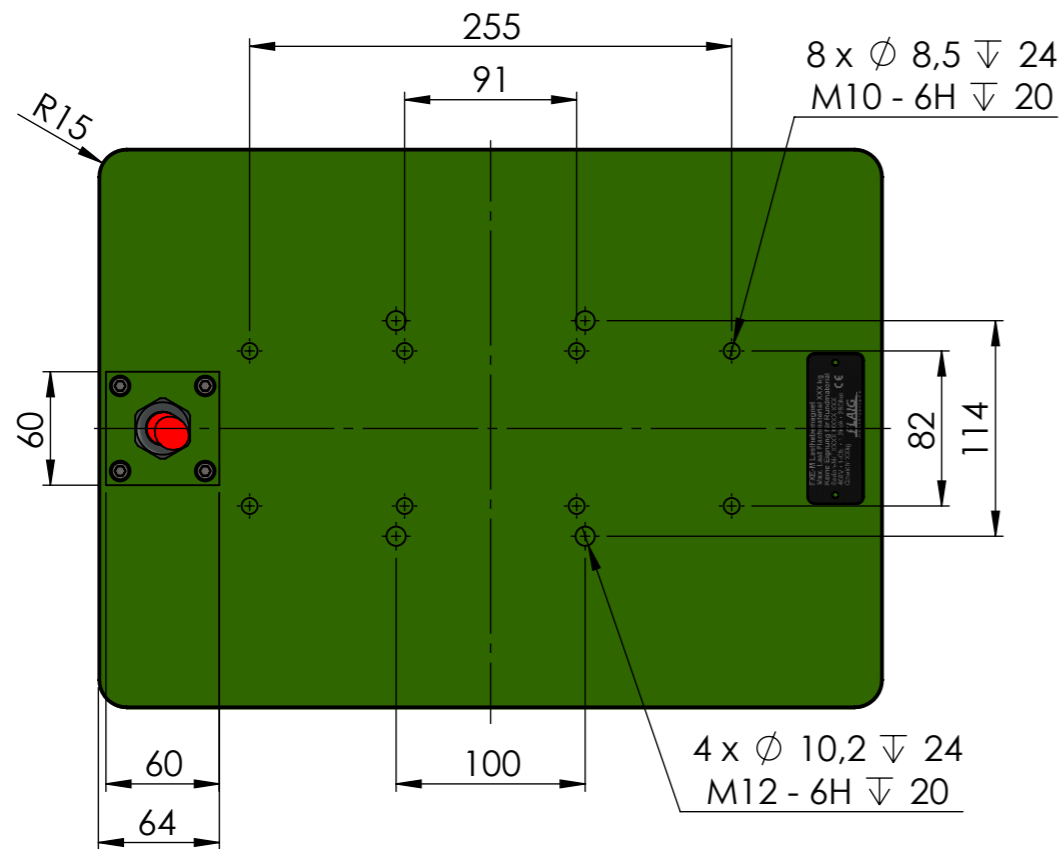
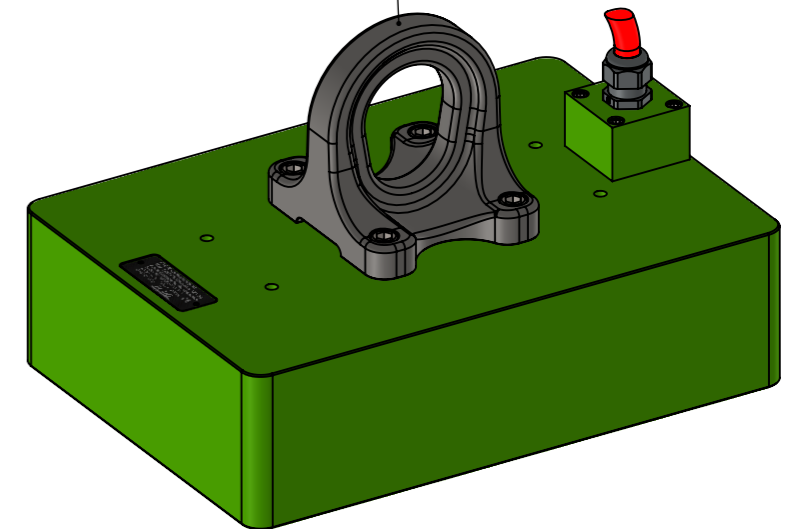


Crane lifting eye optional
Article number: 911012005



Specification FXE-M 2400-100		Schutzvermerk nach DIN ISO 16016 beachten! Nachdruck nur mit unserer Genehmigung! All rights reserved according to DIN ISO 16016! Reprint with our permission only!				tolerance	material:	weight: 106.30
Nominative Force: 87kN	lifting capacity EN 13155/WLL			date	name	ISO 7168 M	drawing no.:	0014134
Materialthickness >35mm (100%)	2400kg			drawn 19.08.2022	TW		description: FXE-M 2400-100	
16,9kVA				edit 27.06.2024				
U: 380-480V Pulse	Protection Type IP 65			appr. 27.06.2024	TW			
R: 1,6Ω	Protection category SK I	02	Luftspaltkurve	27.06.2024	TW			part no.:
		rev.	change	date	name	www.flraig-te.de	10612403	sheet 1 / 1
						scale: 1:4	Status: Freigegeben	A3