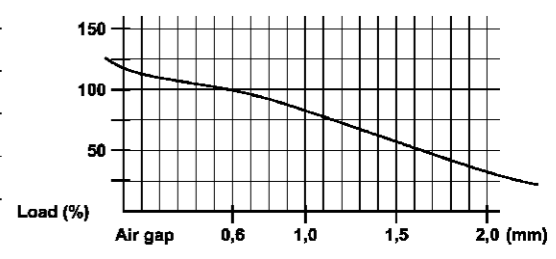
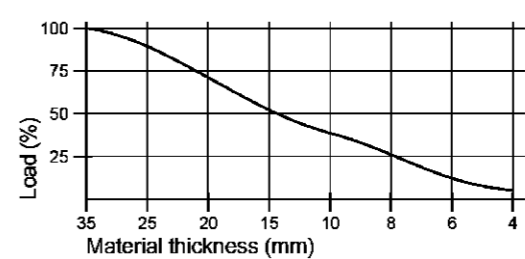
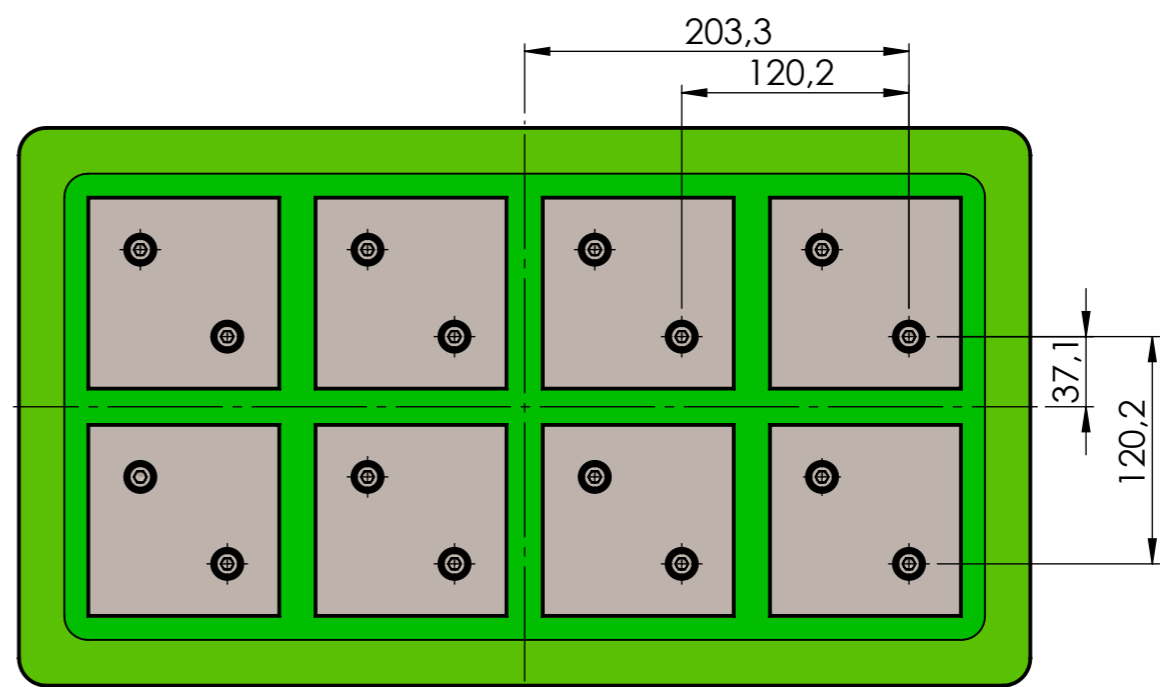
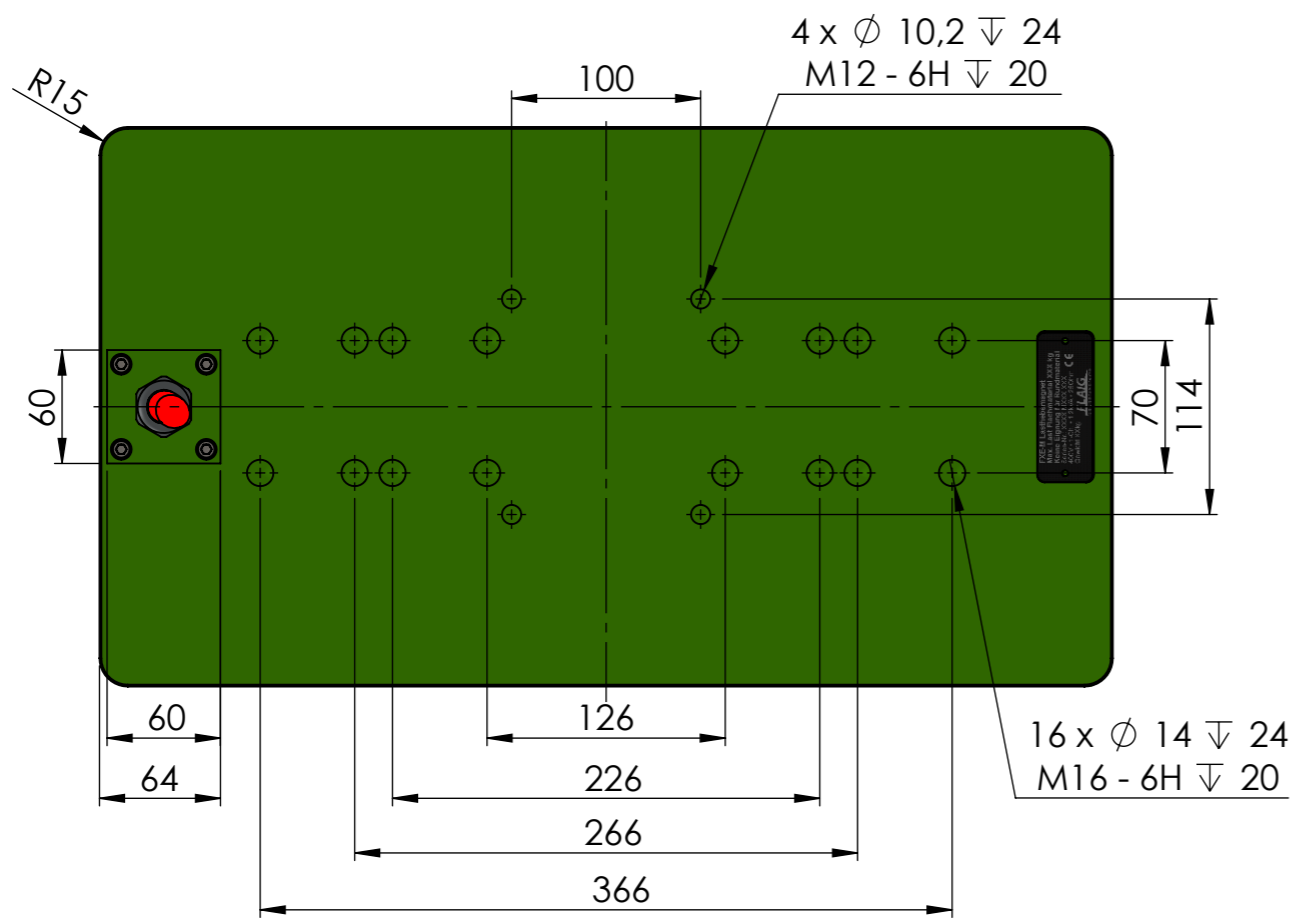
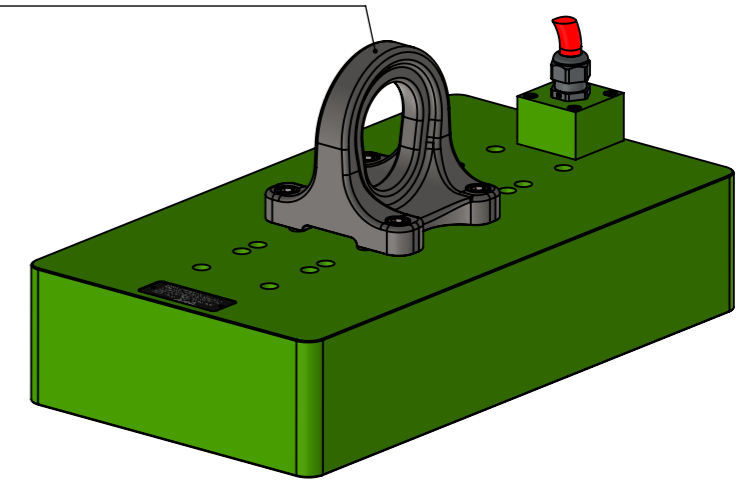


Crane lifting eye optional
Article number: 911012005



Specification FXE-M 3200-100	
Nominative Force: 116kN	lifting capacity EN 13155/WLL
Materialthickness >35mm (100%)	3200kg
2x11,3kVA	
U: 380-480V Pulse	Protection Type IP 65
R: 2x2,4Ω	Protection category SK I

Schutzvermerk nach DIN ISO 16016 beachten! Nachdruck nur mit unserer Genehmigung!			
All rights reserved according to DIN ISO 16016! Reprint with our permission only!			
02	Luftspaltkurve	27.06.2024	TW
rev.	change	date	name

3,2 / -0,05 / -0,2 tolerance

ISO 7168 M

date name

drawn 22.08.2022 TW

edit 27.06.2024

appr. 27.06.2024 TW

FLAIG
Magnetsysteme
www.flraig-te.de

material:	weight: 138.00
drawing no.:	0013581
description: FXE-M 3200-100	
part no.:	10613203
sheet	1 / 1
A3	
scale: 1:4	Status: Freigegeben