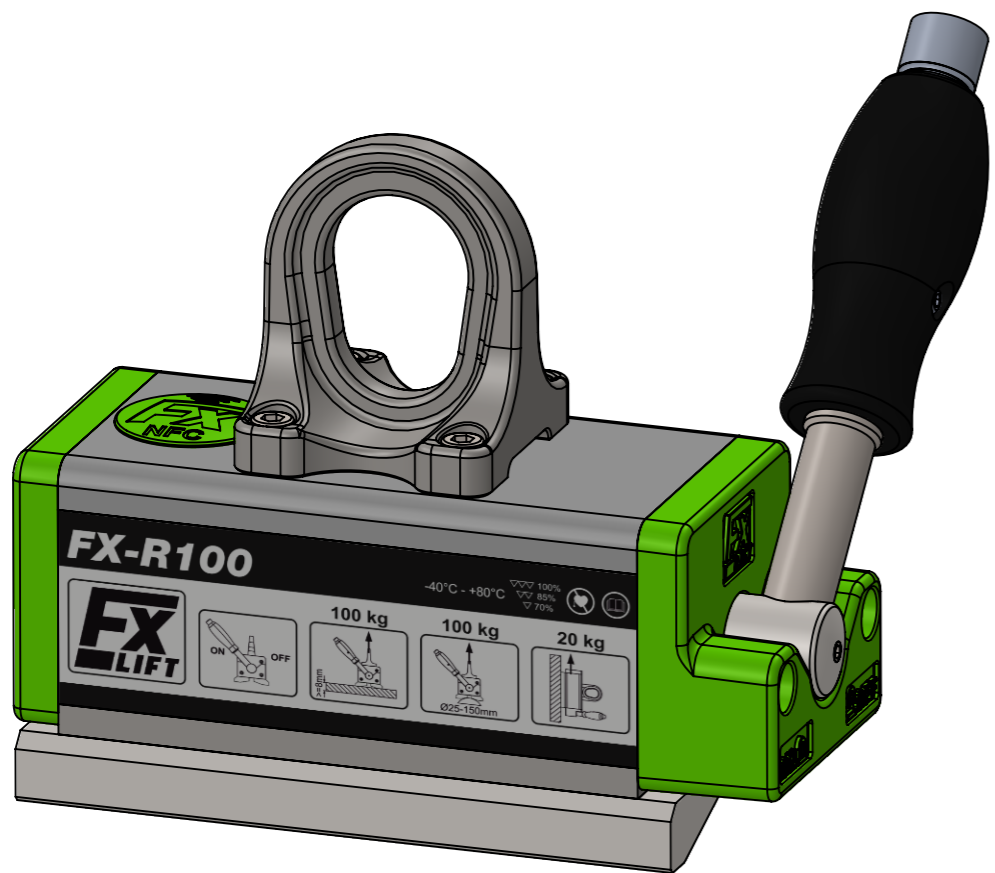
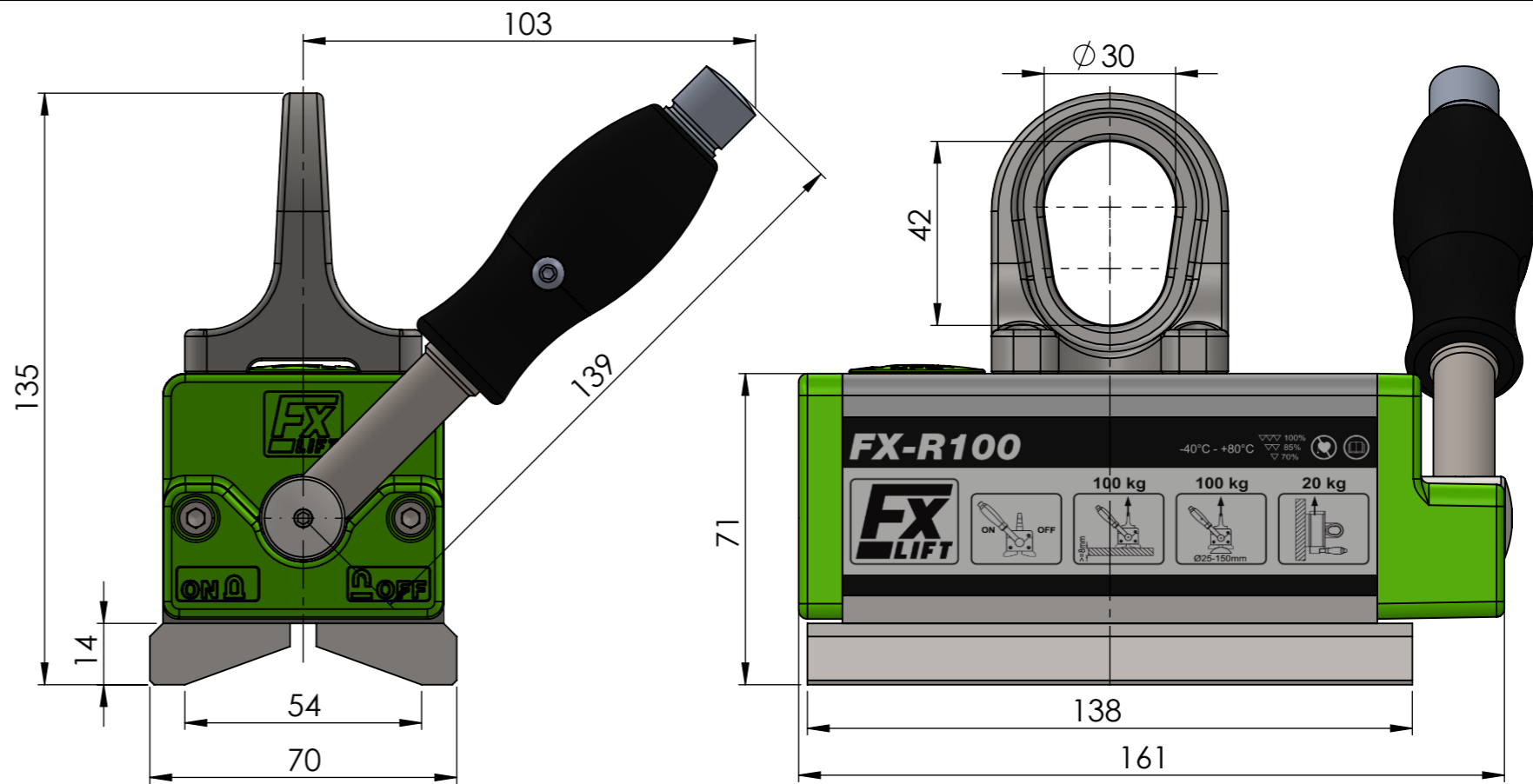
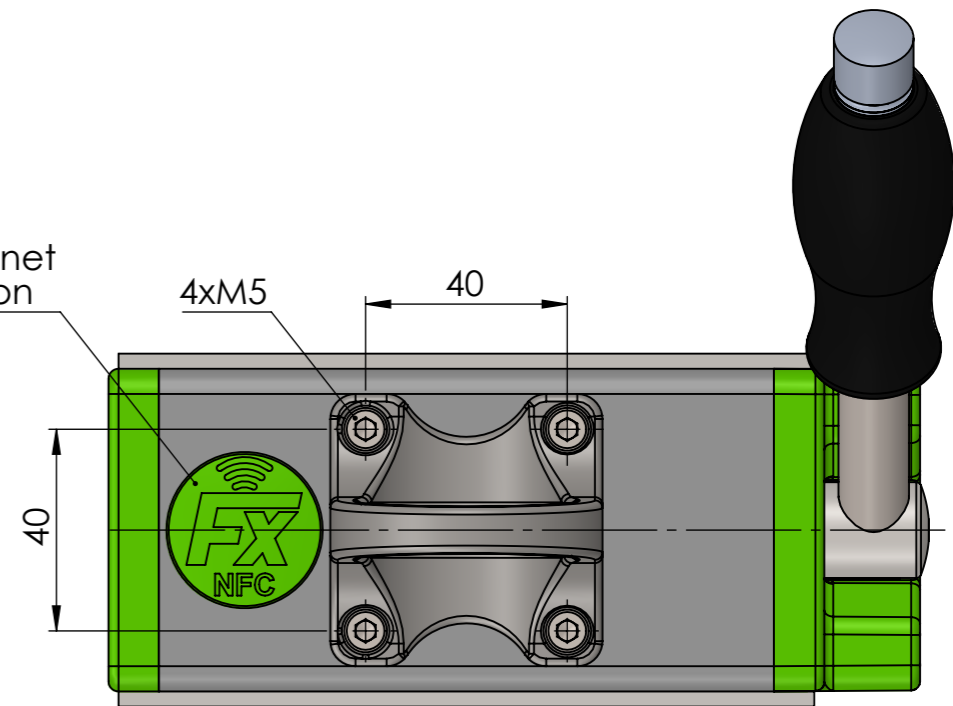


Working load according to EN 13155/WLL	
Load capacity on flat material:	100kg
Load capacity Ø25-150mm:	100kg
Max. load capacity > 8mm material thickness	



**Green-Dot**  
NFC-Tag with magnet  
related information



FX-R100	Air gap <0,1mm			Air gap 0,1-0,3mm			Air gap 0,3-0,5mm		
Material Thickness (mm)	Max. Load (kg)	Max. L (mm)	Max. B(mm)	Max. Load (kg)	Max. L (mm)	Max. B(mm)	Max. Load (kg)	Max. L (mm)	Max. B(mm)
>=2	25	800	800	12	800	800	10	800	800
>=4	50	1500	1000	40	1500	1000	30	1200	1000
>=6	70	1500	1000	60	1500	1000	45	1200	1000
>=8	100	1500	1000	75	1500	1000	60	1200	1000
Ø25-150	100	2000	-	75	2000	-	60	1500	-

Schutzvermerk nach DIN ISO 16016 beachten!  
Nachdruck nur mit unserer Genehmigung!  
All rights reserved according to DIN ISO 16016!  
Reprint with our permission only!

	tolerance	-0,05 -0,2
	ISO 7168 M	
	date	name
drawn	27.07.2022	TW
edit	31.01.2024	
appr.	31.01.2024	TW

material:	weight: 4.00
drawing no.:	<b>0014017</b>
description:	<b>FX-R100</b>
part no.:	<b>11010101</b>
scale: 1:1.5	Status: Freigegeben
sheet 1 / 1	A3

03	Green Dot	18.01.2024	TW
02	Tabelle	14.12.2023	TW
rev.	change	date	name

