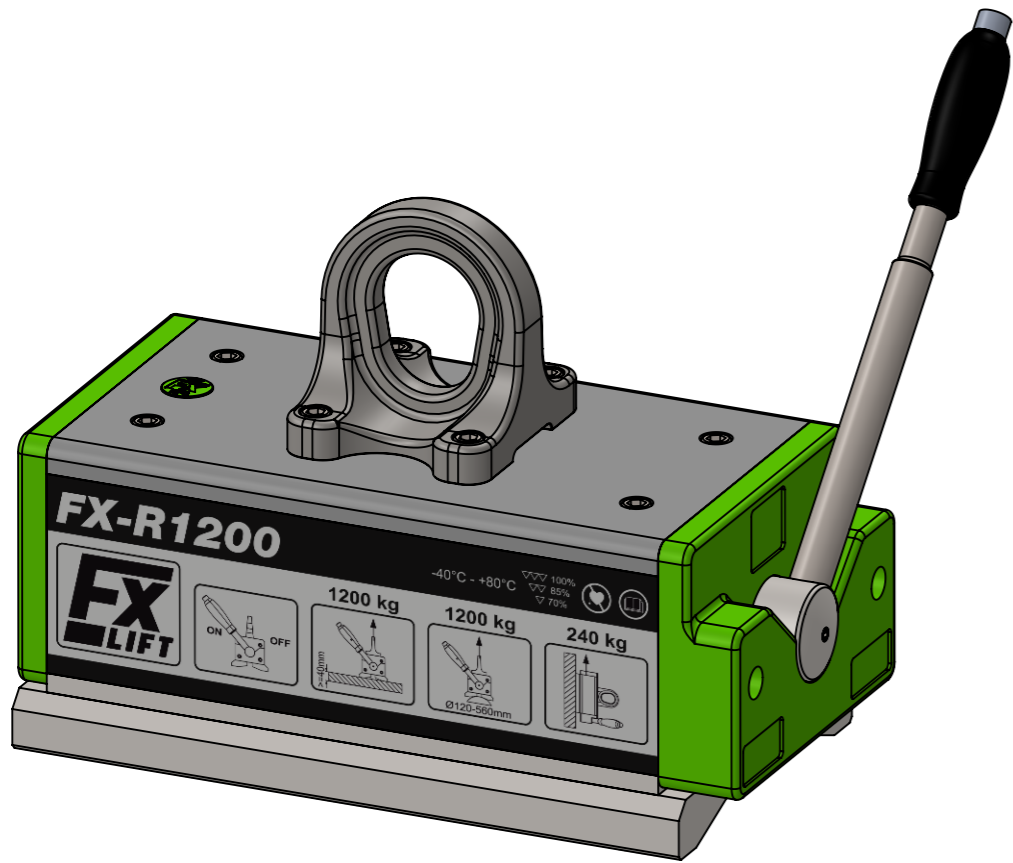
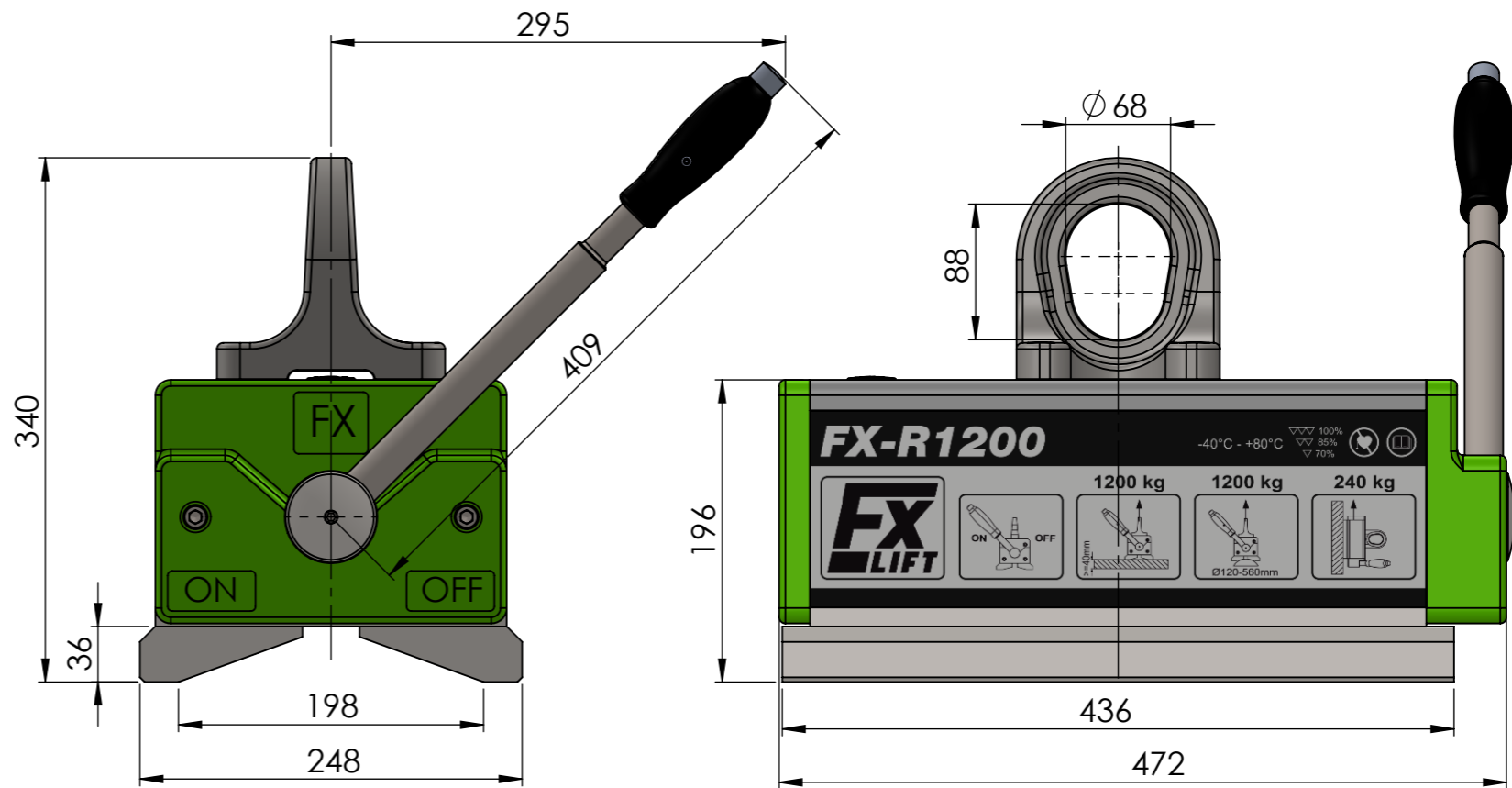
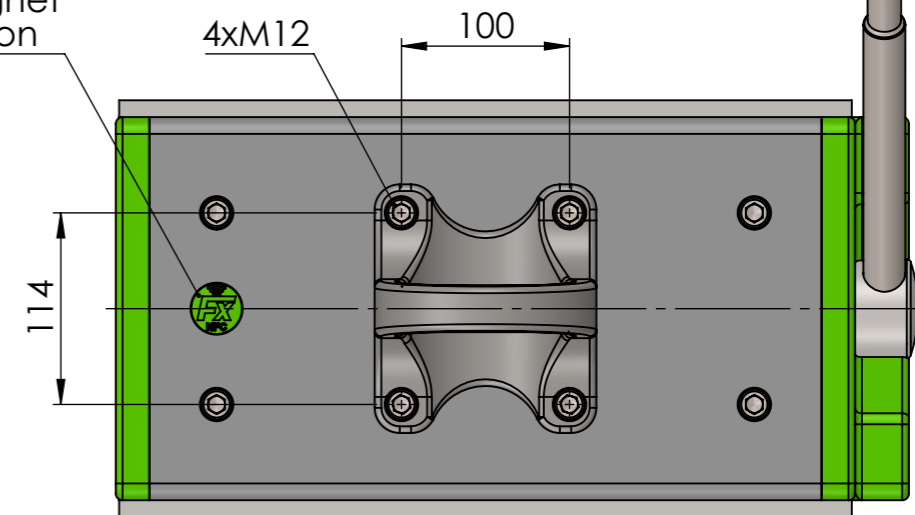



Working load according to EN 13155/WLL	
Load capacity on flat material:	1200kg
Load capacity Ø120-560mm:	1200kg
Max. load capacity > 40mm material thickness	



Green-Dot
NFC-Tag with magnet
related information



FX-R1200	Air gap <0,3mm			Air gap 0,3- 0,6mm			Air gap 0,6- 0,8mm			Schutzvermerk nach DIN ISO 16016 beachten! Nachdruck nur mit unserer Genehmigung! All rights reserved according to DIN ISO 16016! Reprint with our permission only!	3,2 / -0,05 / -0,2 tolerance	material:	weight: 127.00		
Material Thickness (mm)	Max. Load (kg)	Max. L (mm)	Max. B(mm)	Max. Load (kg)	Max. L (mm)	Max. B(mm)	Max. Load (kg)	Max. L (mm)	Max. B(mm)					ISO 7168 M	drawing no.:
>=15	600	2500	2000	500	3000	2000	440	2500	1500	drawn	28.07.2022	TW	description: FX-R1200		
>=20	800	3000	2000	650	3000	2000	550	3000	1500	appr.	31.01.2024	TW			
>=25	1000	3500	2000	800	3000	2000	700	3000	1500	 www.flraig-te.de			part no.:	sheet 1 / 1	
>=40	1200	4000	2000	1000	3000	2000	900	3000	1500				03 Green Dot	18.01.2024	TW
Ø120-560	1200	4500	-	900	4000	-	700	3500	-	02 Tabelle	06.11.2023	TW	scale: 1:4.5	Status: Freigegeben	
										rev.	change	date	name		