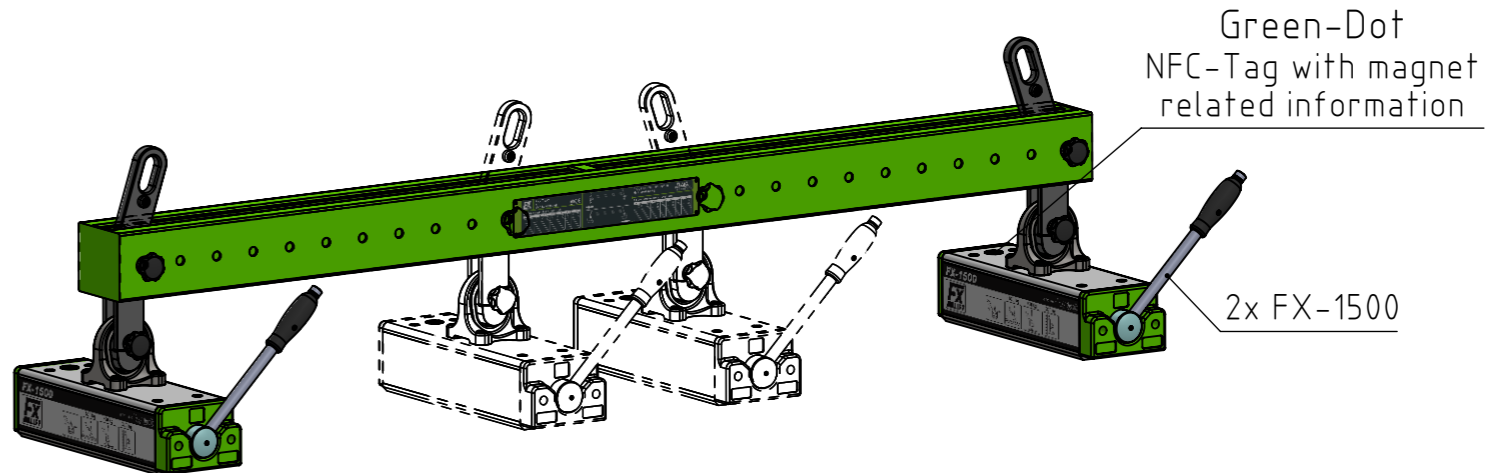
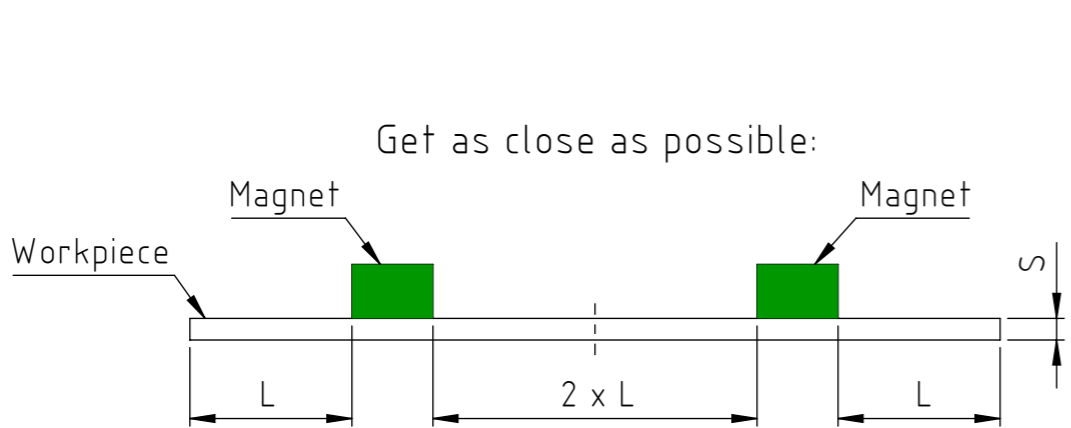
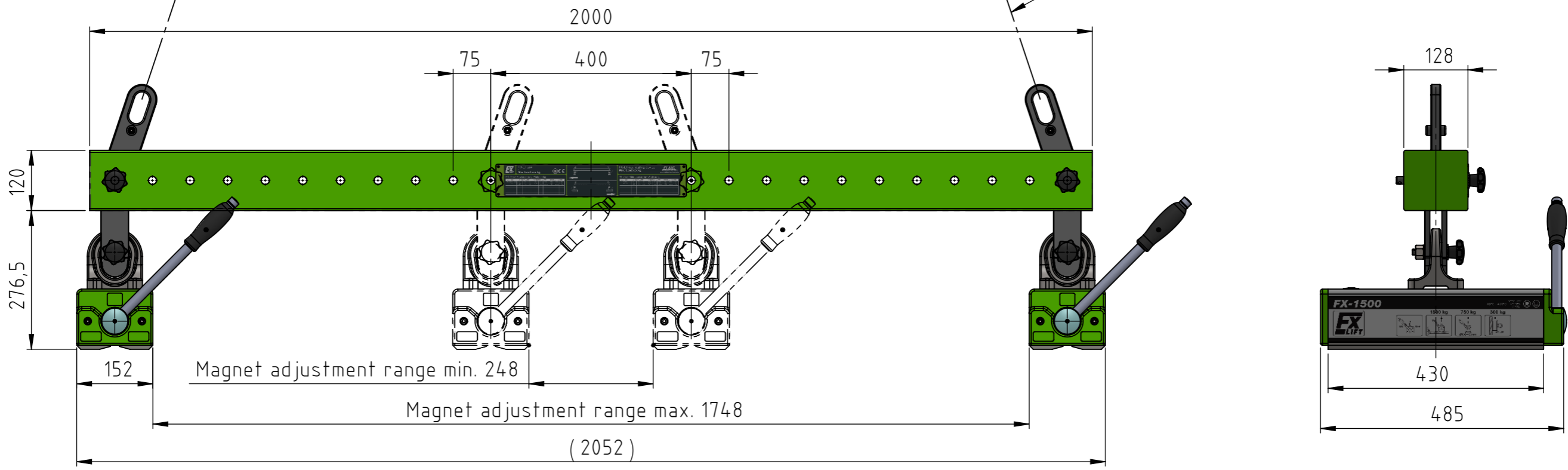


2-strand chain WLL 4t, Quality class 10, Length 1000mm with hook and eyelet (not included in delivery).  
Optional: Flaig Part Number: 9110400002-1



FX-LT2600	Air gap <0,3mm			Air gap 0,3-0,5mm			Air gap 0,5-0,6mm		
	Max. Load (kg)	Max. L (mm)	Max. W (mm)	Max. Load (kg)	Max. L (mm)	Max. W (mm)	Max. Load (kg)	Max. L (mm)	Max. W (mm)
>=10	840	4500	2000	700	4500	2000	630	4000	2000
>=15	1400	5000	2000	1200	5000	2000	1050	4000	2000
>=20	2000	5000	2500	1700	5000	2000	1500	4000	2000
>=25	2600	5000	2500	2460	5000	2500	1960	5000	2000

**Do not exceed any size or load !**

Schutzvermerk nach DIN ISO 16016 beachten! Nachdruck nur mit unserer Genehmigung!		3,2 / -0,05 / -0,2	tolerance	material:	weight: 167.90
All rights reserved according to DIN ISO 16016! Reprint with our permission only!			ISO 7168 M	drawing no.:	0023817
drawn	date	name	description: <b>FX-LT 2600</b>		
appr.	03.06.2024	TW	part no.: 11042600		
03	Traglasttabelle	29.04.2024	TW	sheet 1 / 1	
02	Trägerbreite	04.03.2024	TW	A3	
rev.	change	date	name	scale: 1:9	Status: Freigegeben

