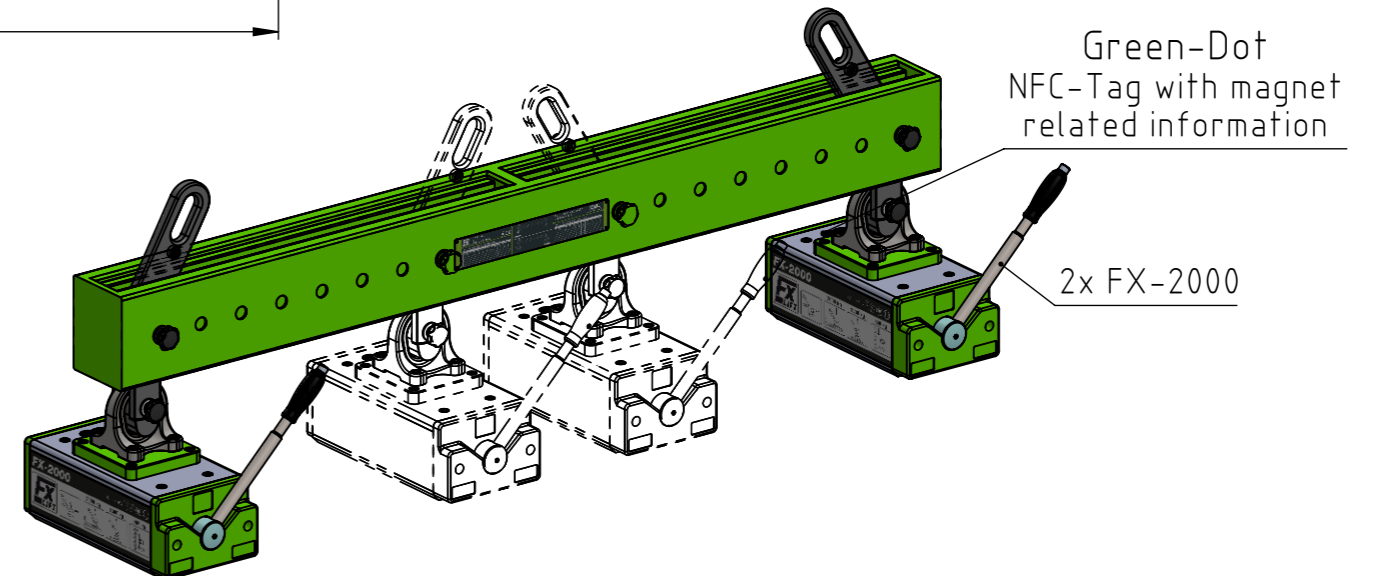
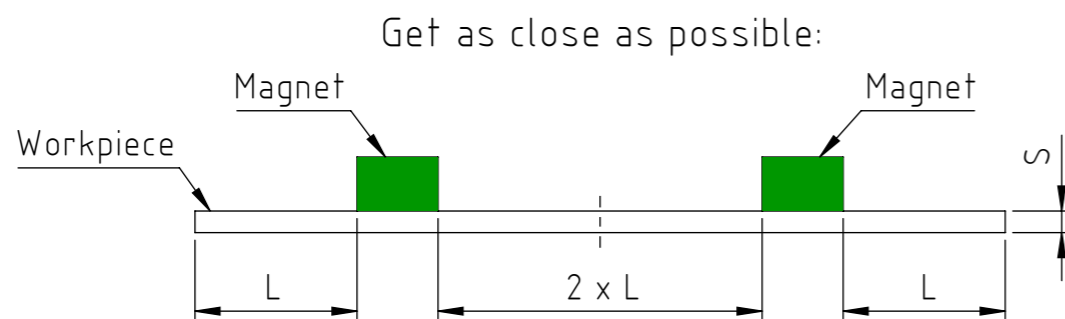
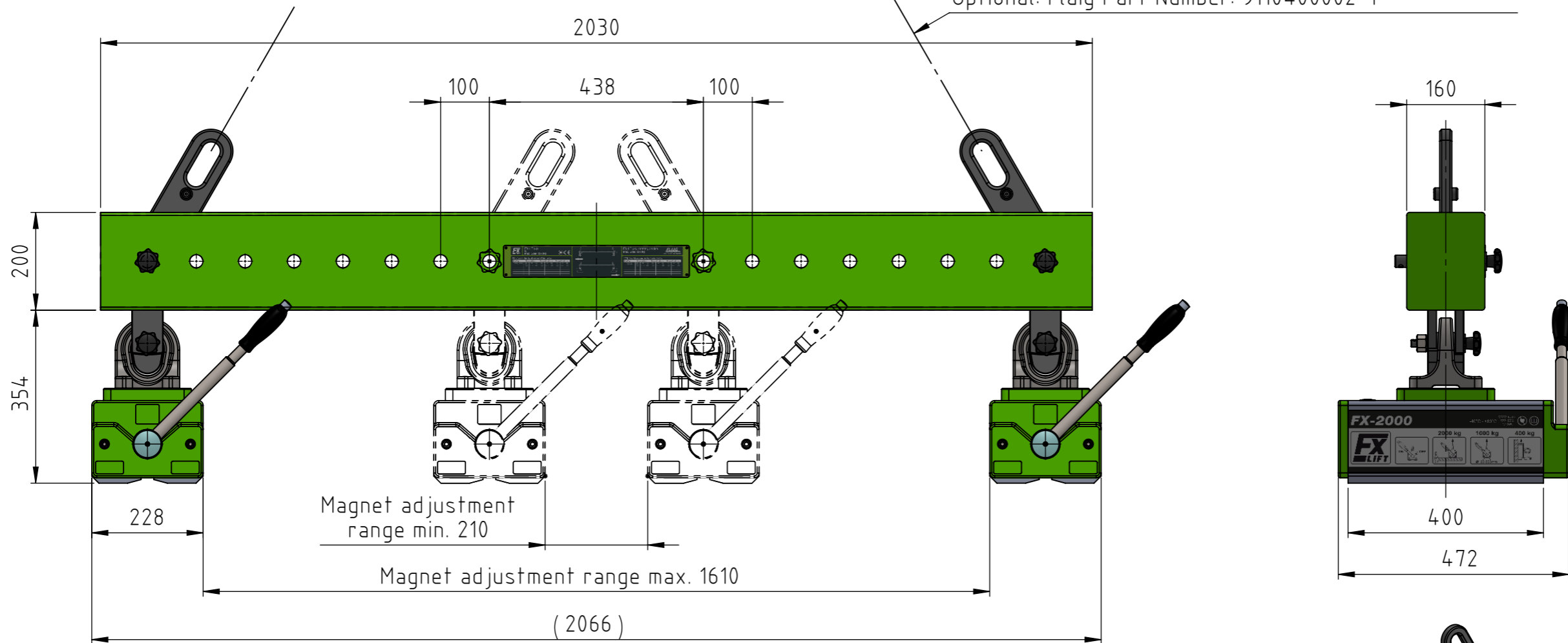


2-strand chain WLL 4t, Quality class 10, Length 1000mm with hook and eyelet (not included in delivery).
Optional: Flaig Part Number: 9110400002-1



FX-LT3200	Air gap <0,3mm			Air gap 0,3-0,6mm			Air gap 0,6-0,8mm		
	Max. Load (kg)	Max. L (mm)	Max. W (mm)	Max. Load (kg)	Max. L (mm)	Max. W (mm)	Max. Load (kg)	Max. L (mm)	Max. W (mm)
>=15	800	4000	2000	640	4000	2000	520	4000	2000
>=20	1600	5000	2000	1280	5000	2000	1040	5000	2000
>=25	1920	5000	2000	1530	5000	2000	1250	5000	2000
>=40	2560	5000	2500	2050	5000	2500	1660	5000	2500
>=50	3200	5000	2500	2560	5000	2500	2080	5000	2500

Do not exceed any size or load !

Schutzvermerk nach DIN ISO 16016 beachten!
Nachdruck nur mit unserer Genehmigung!
All rights reserved according to DIN ISO 16016!
Reprint with our permission only!

03	Traglasttabelle	29.04.2024	TW
02	Green Dot	29.01.2024	TW
rev.	change	date	name

3,2 / -0,05 / -0,2 tolerance
ISO 7168 M

date: 15.09.2022
name: TW

date: 03.06.2024
name: TW

FLAIG
Magnetsysteme
www.flraig-te.de

material:	weight: 305.00
drawing no.:	0018994
description:	FX-LT 3200
part no.:	11043200
sheet	1 / 1
A3	
scale: 1:10	Status: Freigegeben