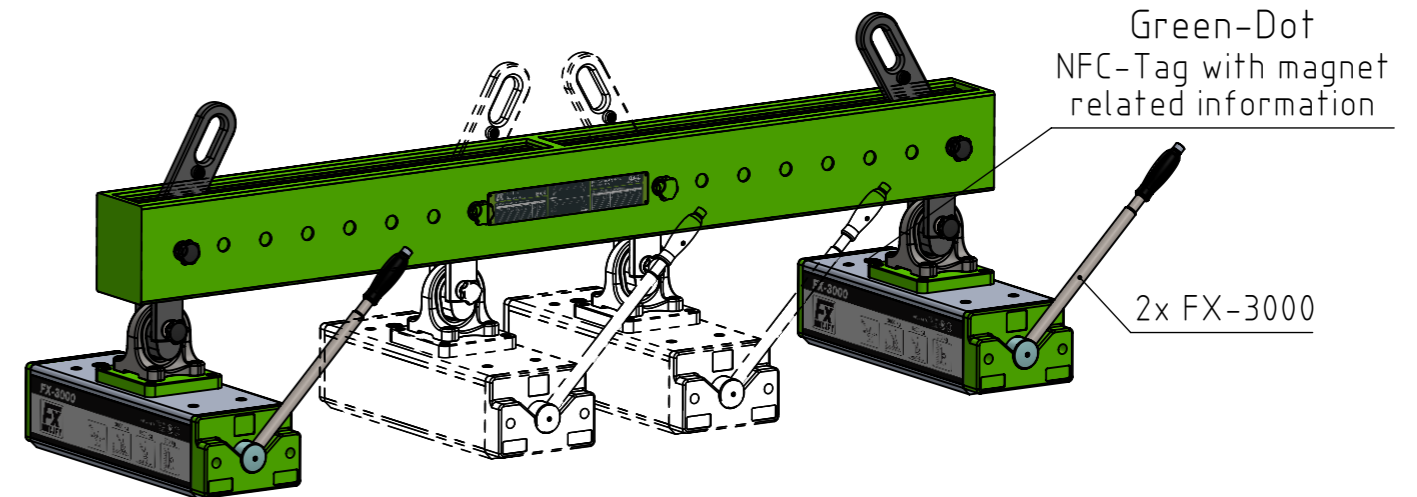
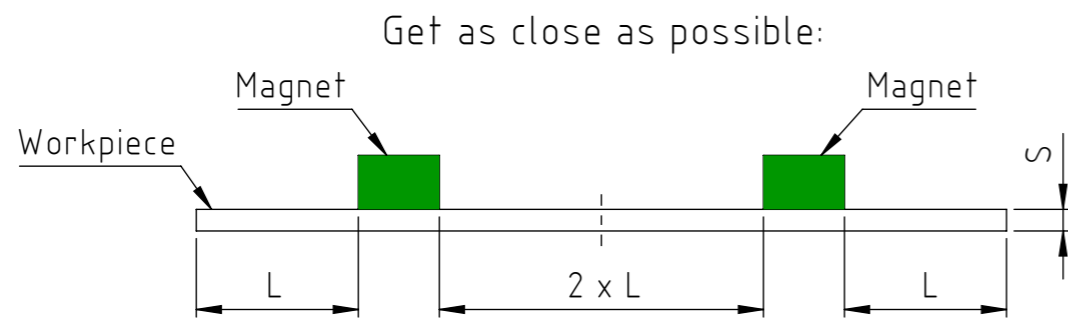
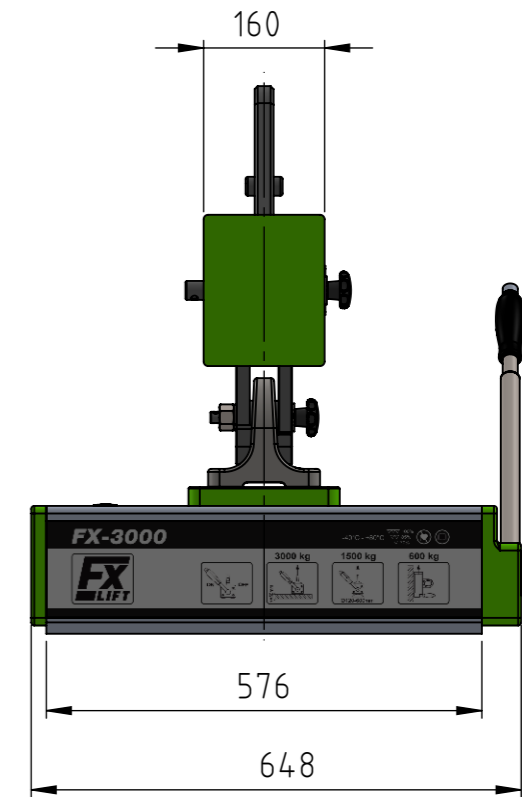
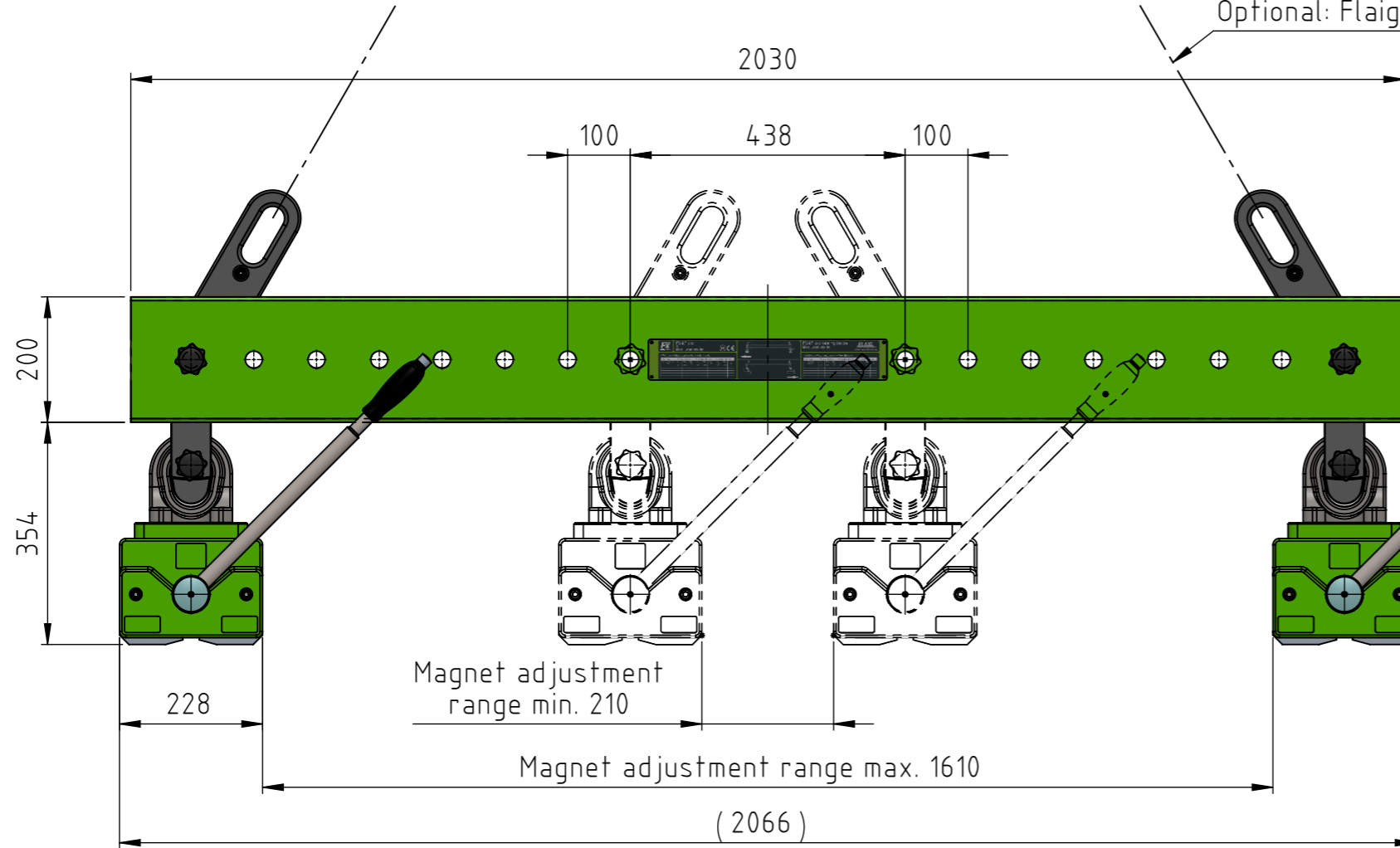


2-strand chain WLL 4t, Quality class 10, Length 1000mm with hook and eyelet (not included in delivery).
Optional: Flaig Part Number: 9110400002-1



FX-LT4800	Air gap <0,3mm			Air gap 0,3-0,6mm			Air gap 0,6-0,8mm		
	Max. Load (kg)	Max. L (mm)	Max. W (mm)	Max. Load (kg)	Max. L (mm)	Max. W (mm)	Max. Load (kg)	Max. L (mm)	Max. W (mm)
>=15	1200	5000	2000	960	5000	2000	780	5000	2000
>=20	2400	5000	2000	1900	5000	2000	1560	5000	2000
>=25	2880	5000	2500	2300	5000	2500	1870	5000	2500
>=40	3840	5000	2500	3050	5000	2500	2490	5000	2500
>=50	4800	5000	2500	3840	5000	2500	3120	5000	2500

Do not exceed any size or load !

Schutzvermerk nach DIN ISO 16016 beachten! Nachdruck nur mit unserer Genehmigung!		3,2 / -0,05 / -0,2	tolerance	material:	weight: 410.00
All rights reserved according to DIN ISO 16016! Reprint with our permission only!			ISO 7168 M	drawing no.:	0019354
date	name	drawn	24.10.2022	TW	description: FX-LT 4800
appr.	03.06.2024	TW	part no.: 11044800		
03	Traglasttabelle	29.04.2024	TW	sheet 1 / 1	
02	Green Dot	29.01.2024	TW	A3	
rev.	change	date	name	scale: 1:10	Status: Freigegeben

FLAIG
Magnetsysteme
www.flraig-te.de