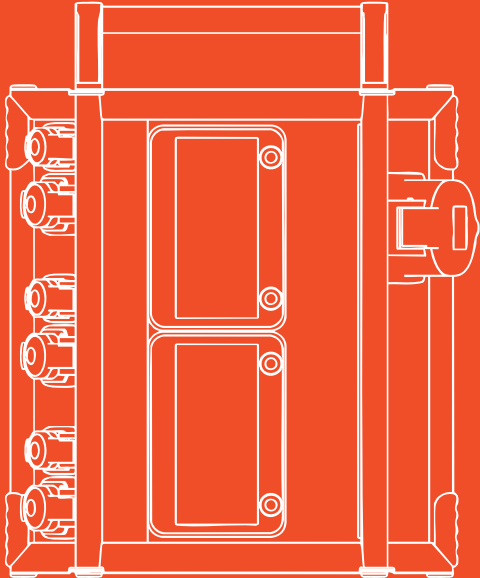


 Instagrid



LINK MAX



Construction

## The next level of portable power

Instagrid LINK MAX is an accessory that allows you to combine the power of three Instagrid ONE units to create a 400 V, 3-phase output. Power even more demanding tools while enjoying all the benefits and convenience of Instagrid portable power. Instagrid LINK MAX is a specialized accessory that only works with three Instagrid ONE units. It does not work with any other power supplies.

- Exceptional portability – Combined with Instagrid ONE, Instagrid LINK MAX is the world's most portable 400 V power solution\*. Each part of the solution can be carried individually by hand without additional machinery
- Unmatched peak power – The Instagrid LINK MAX solution provides peak power of up to 54 kW to start highly demanding equipment effortlessly
- Simple plug and play experience – Set up your 400 V, 3-phase solution quicker and easier than ever
- Instant reliable power, zero compromises. Run demanding devices without additional noise or exhaust fumes throughout the whole working day

\* Whereas competing products weigh at least 78 kg, the total weight of 3 x Instagrid ONE + 1 x Instagrid LINK MAX is 65 kg. The individual Instagrid ONE units each weigh only 20 kg, and the Instagrid LINK MAX unit only 5 kg, meaning that each part of the setup can be carried in one hand.



## More power, new applications

Connect three Instagrid ONE units for a nominal output power of 11 kW and an output voltage of 400 V. This allows you to power demanding devices such as high frequency tools anywhere on your jobsite while still having the flexibility of the Instagrid ONE unit as an independent 230 V power supply.

- Easier and quicker welding in off-grid locations
- Power a core drill in difficult-to-reach areas.
- Cutting concrete with ring saws or concrete chain saws is possible without the need to run dangerously long extension cords across the jobsite

Work with 3-phase 400 V tools wherever you need. You can set up the entire solution by yourself.





**Power your  
world**  
Construction



**Construction table saw**

**5,200 W**

450 mm blade

~ 1,800 cuts

100 x 100 mm lumber



**Wall saw**

**20,000 W**

~ 4 m<sup>2</sup> cutting surface  
in concrete



**Diamond core drill**

**7,500 W**

~ 33 holes in concrete

Ø 300 mm core drill bit

↓ 200 mm



**Large submersible**

**pump, 5,300 W**

~ 2,400 l/min

~ 192,200 l

80 min



**Arc welding**

**machine**

Up to 29 electrodes

Ø 5 mm

at 235 A



# Total cost of ownership

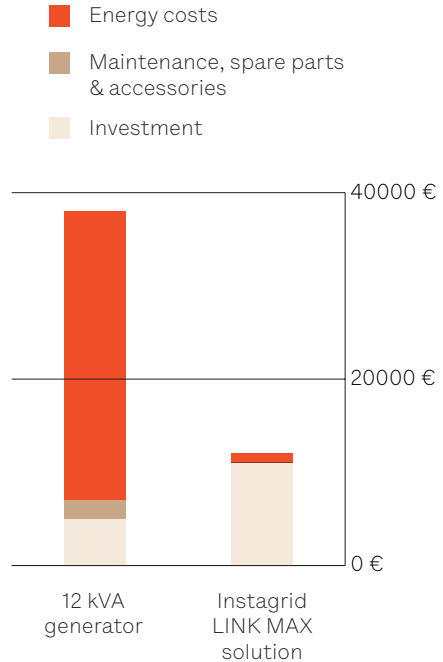
Comparing the Instagrid LINK MAX solution vs 12 kVA generator.

- Costs can break even as early as around **158 days** of use
- Save up to 66% versus a petrol driven generator within 4 years
- The Instagrid LINK MAX solution comes with negligible service and maintenance overhead → Availability that you can rely on and plan with

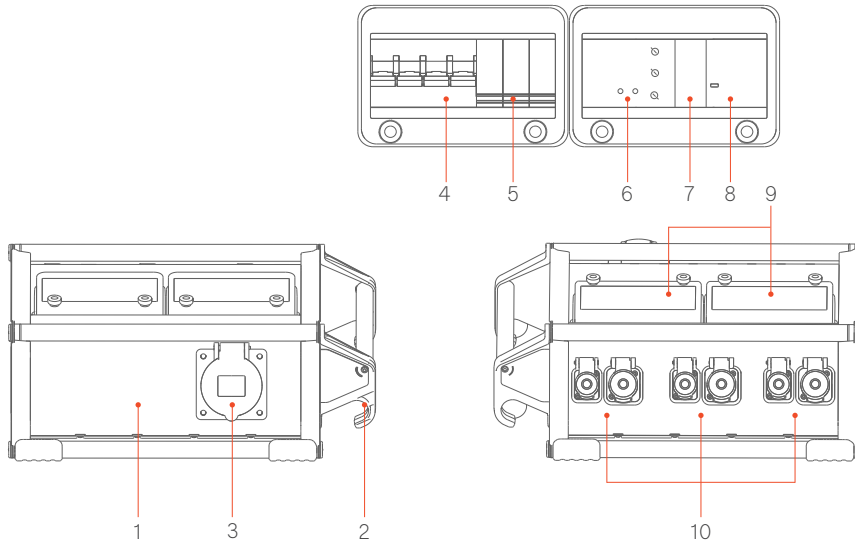
Contact the Instagrid team for all the details on the TCO calculation:  
[sales@instagrid.co](mailto:sales@instagrid.co)



Cost comparison after 4 years of use



# Technical overview



- 1** Housing
- 2** Handle and hook
- 3** Output receptacle
- 4** Circuit breaker (MCB)
- 5** 3x 2-pole contactor (input)
- 6** Insulation monitoring device (IMD)
- 7** Phase monitoring device (PMD)
- 8** 4-pole contactor (output)
- 9** 2x accessible fuse box
- 10** 3x dual Neutrik input

## Technical specifications

Parameter	Value
<b>Operation</b>	
Nominal output voltage	400 V AC
Frequency	50 Hz
Rated output current	16 A
Rated output power	11 kW
Peak power	54 kW
<b>Protection</b>	
Phase guard	Phase monitoring device (PMD)
Insulation monitor	Insulation monitoring device (IMD)
Circuit breaker	1x 4-pole C16
<b>General information</b>	
Weight	5.1 kg
Size	391 x 320 x 140 mm
IP class	IP 54
Protection class	Class I with Class II construction
Ambient temperature	- 20 °C to 55 °C
<b>Receptacles</b>	
Input receptacles	3x Neutrik powerCON TRUE1 TOP® - NAC3FPX 3x Neutrik powerCON TRUE1 TOP® - NAC3MPX
Output receptacle	1x CEE 5-pole 6h 16 A
Delivery scope	1 x Instagrid LINK MAX, 3x dual Neutrik cable

## Operation and transportation

- Optimized for attaching to Instagrid ONE  
→ hook and release (I)
- Surface mounting with screws (II)
- 4 sturdy feet for stability and grip (III)
- Solid frame for custom mounting  
(e.g. with velcro straps) (IV)
- Instagrid LINK MAX is only compatible with Instagrid ONE



## Power inputs

- 3x dual Neutrik input (I + II + III)
- Dual Neutrik cables are part of the Instagrid LINK MAX kit content
- Each input needs to be connected to an Instagrid ONE unit, as Instagrid LINK MAX draws power from inputs I, II and III simultaneously
- Using the provided cables will ensure that only correct connection of Instagrid ONE units and Instagrid LINK MAX unit is physically possible  
→ eliminates any failures due to wrong connection



## Power output

- 1x CEE 400 V / 16 A power output receptacle
- 3x Instagrid ONE units synchronize each single-phase output voltage to deliver 1x 400 V / 16 A output power
- CEE 7/3 (230 V / 16 A) output receptacle of Instagrid ONE can be used simultaneously



Attention: Usage of single phase receptacle of Instagrid ONE leads to unequal discharge of units



Contact us

**sales@instagrid.co**

**+49 7141 5629008**

Instagrid GmbH  
Hermann-Hagenmeyer-Str. 1  
71636 Ludwigsburg  
Germany

Let's stay in touch

**@instagridpower**



**instagrid.co**

© 2025 Instagrid GmbH. All rights reserved.  
Trademarks such as the name Instagrid, product names,  
slogans and logos used in this brochure are intellectual  
property of Instagrid GmbH. Please refer to any additional  
notices on our website at <https://instagrid.co/ip>

2025-07-09-EU-EN-construction-Instagrid-LINK-MAX